

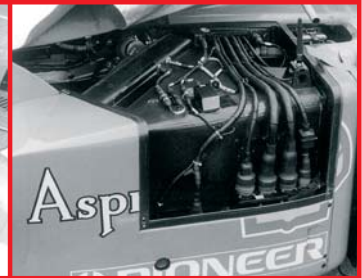
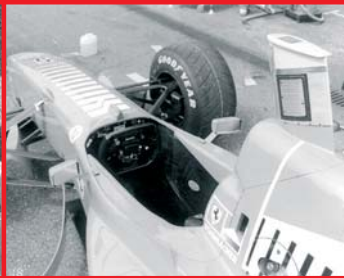
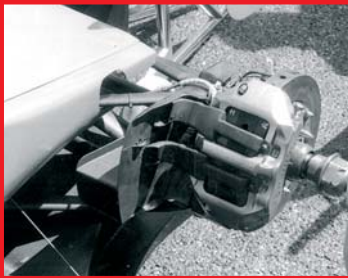
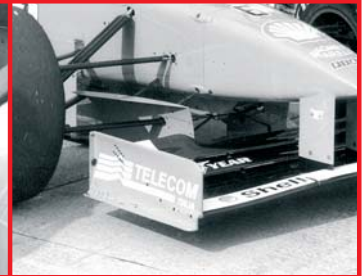
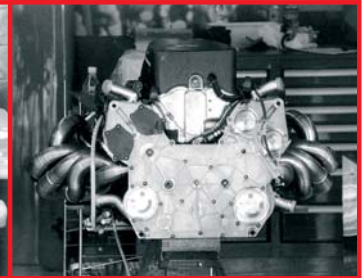
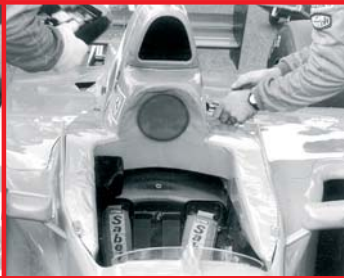
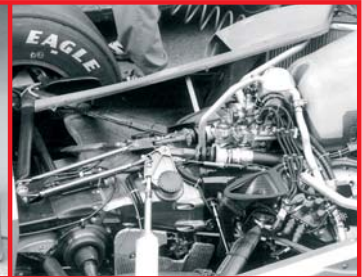
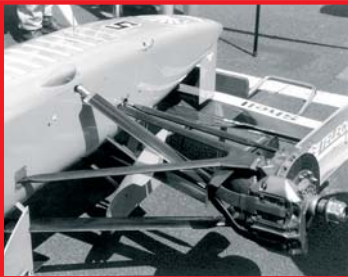


TAMEO KITS

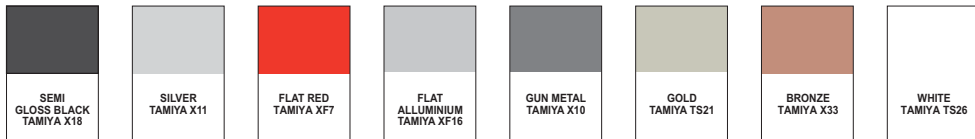


TMK349 FERRARI F310B JAPANESE G.P. 1997

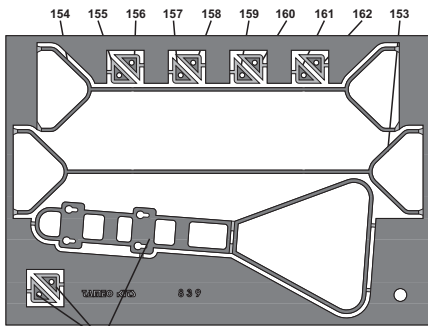
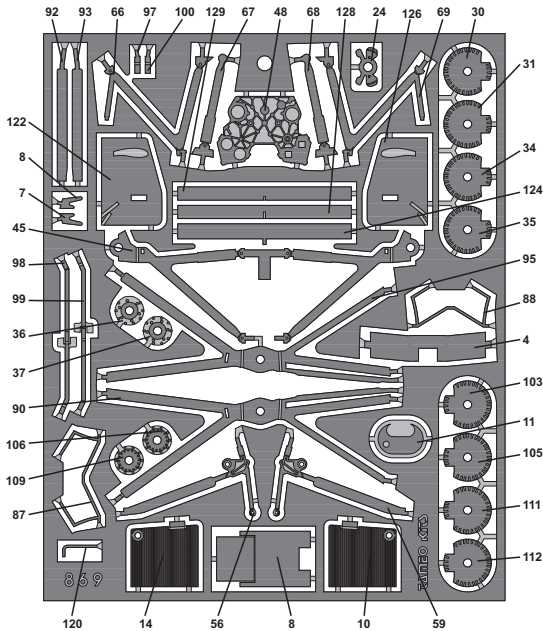
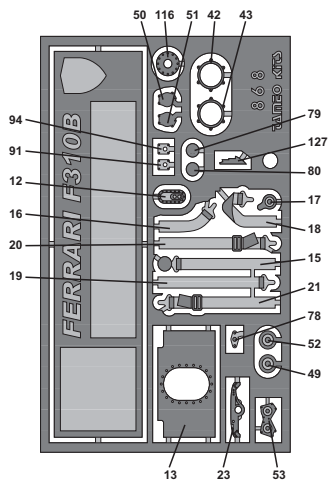
www.tameokits.com



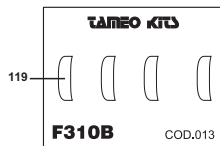
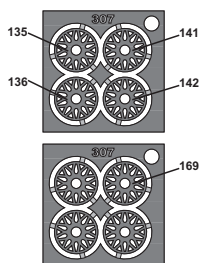
COLOUR CONVERSION



FOTOINCISIONI - PHOTOETCHEDS



Don't use



TAMEO KITS
scale racing car models

Ferrari

OFFICIAL LICENSED PRODUCT

TAMEO KITS srl

Via Valle, 25/6
17022 BORGIO VEREZZI SV ITALY
Tel. 39 019 - 615.250 Fax. 39 019 - 615.310

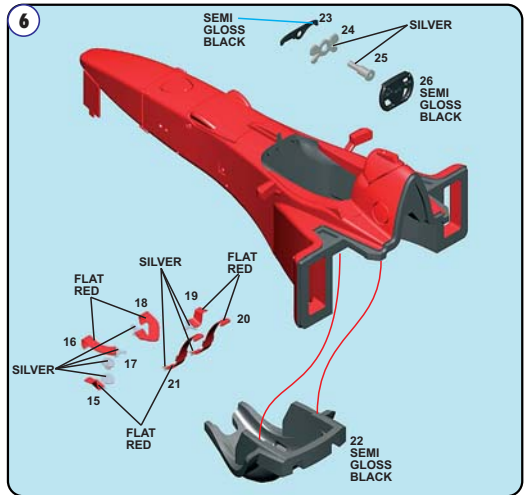
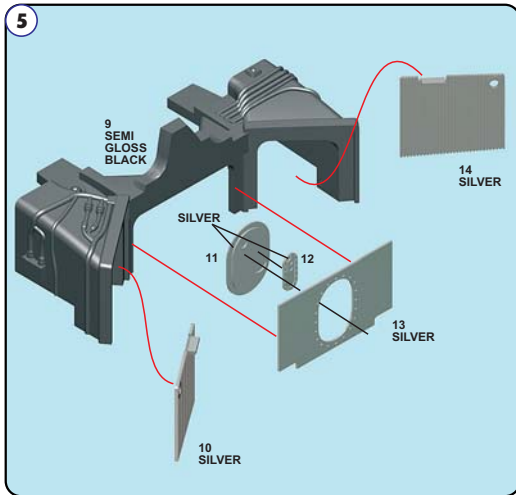
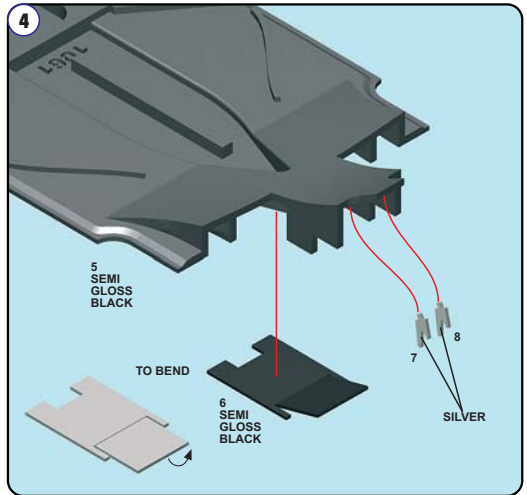
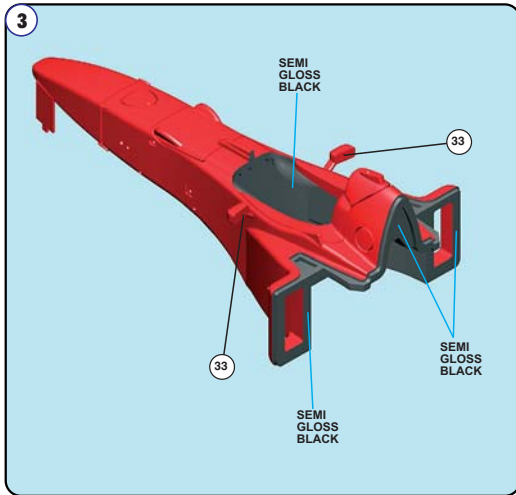
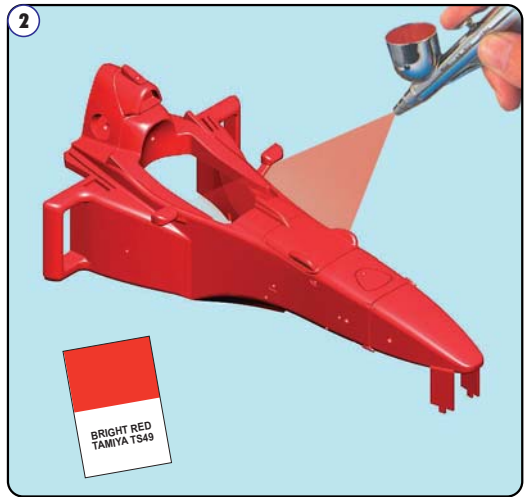
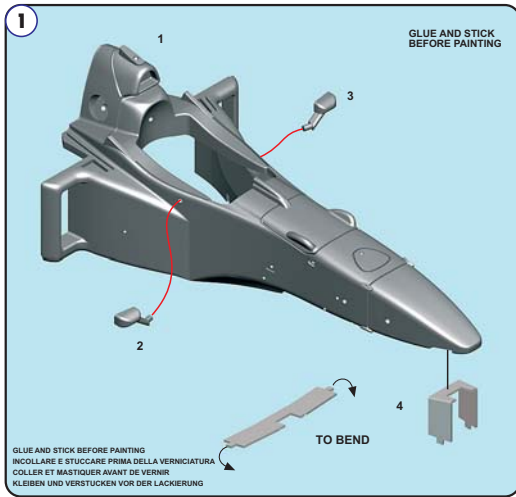
e-mail sales@tameokits.com
e-mail technical@tameokits.com

Made in Italy. Collector 1/43 Scale Models. Vietata la vendita ai minori di 14 anni. Nocivo per ingestione. Conservare fuori dalla portata dei bambini. Tameo Kits declina ogni responsabilità per un uso improprio del prodotto.

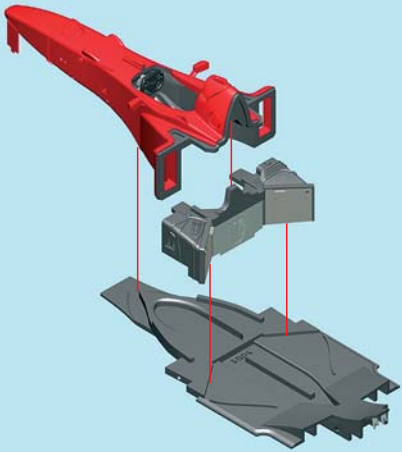
Made in Italy. Collector 1/43 Scale Models. Not for sale to persons under 14 years of age. Dangerous if swallowed. Keep out of reach of children. Tameo Kits not held responsible for any damage or injury resulting from improper use of the product.

Made in Italy. Collector 1/43 Scale Models. Vente interdite aux enfants de moins de 14 ans. Dangereux si avalé. Conserver hors de la portée des enfants. Tameo Kits décline toute responsabilité en cas de dommages dérivants de l'usage non approprié du produit.

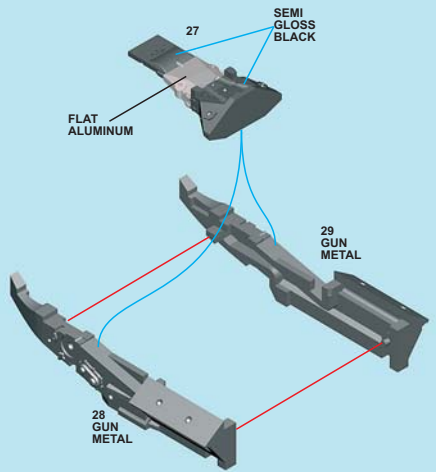
Made in Italy. Collector 1/43 Scale Models. Verkauf an jugendliche unter 14 Jahren verboten. Schädlich bei Einnahme. Von Kindern fernhalten. Tameo Kits lehnt jene Verantwortung bei unkorrektem Gebrauch seines Produktes ab.



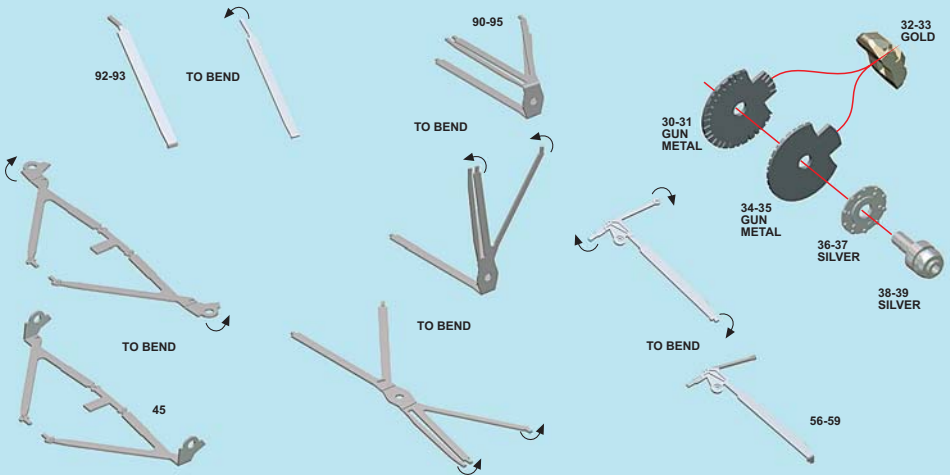
7



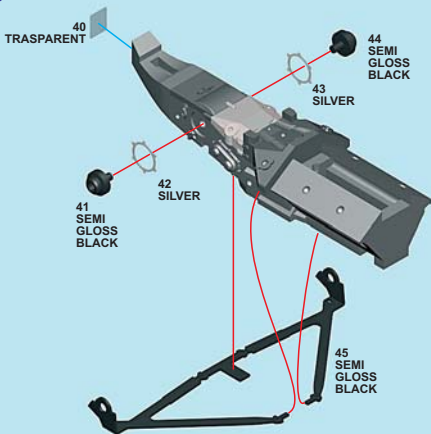
8



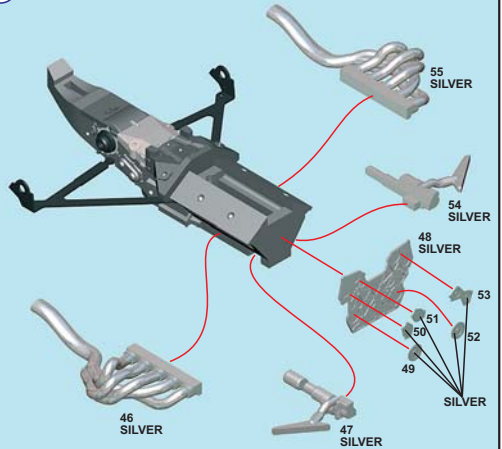
9

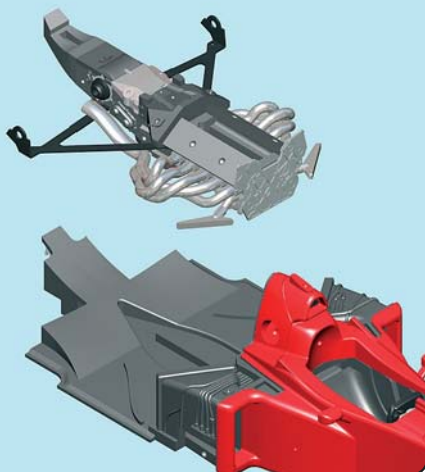
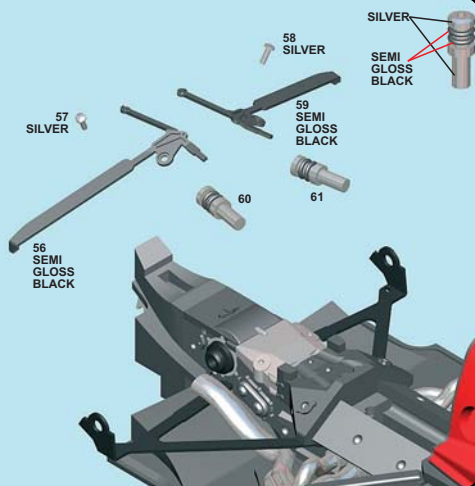
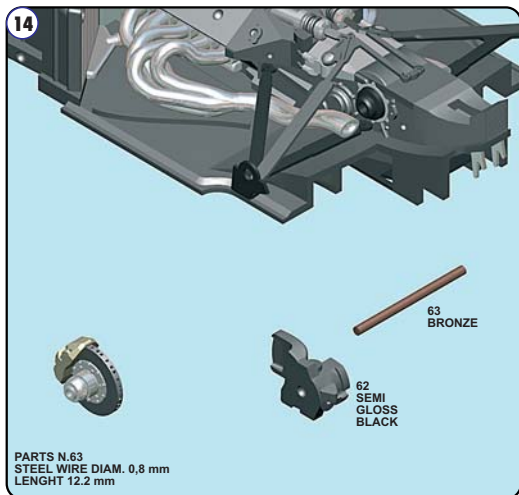
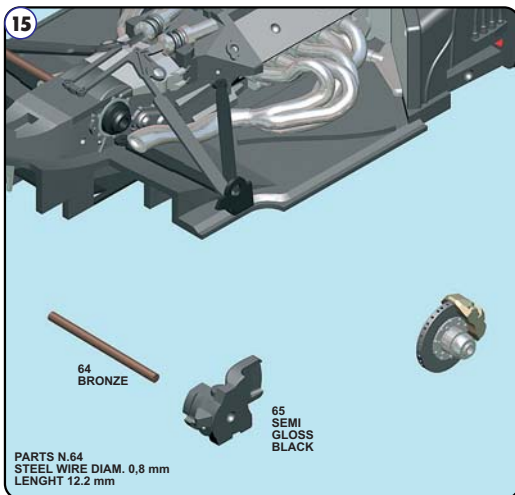
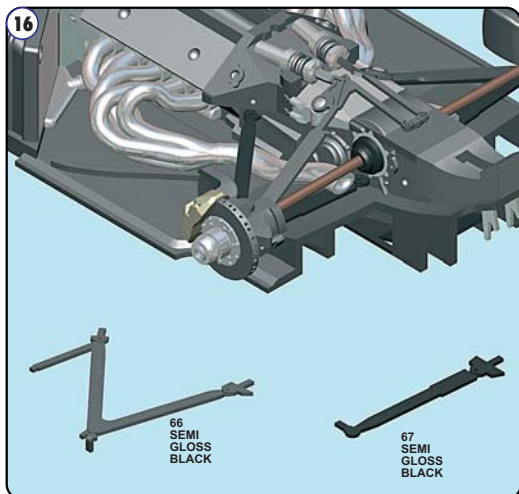
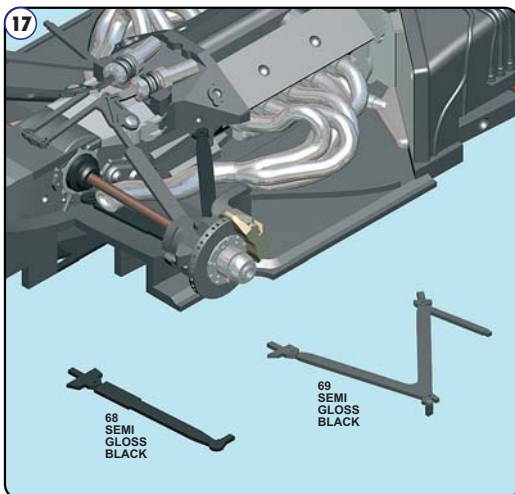


10

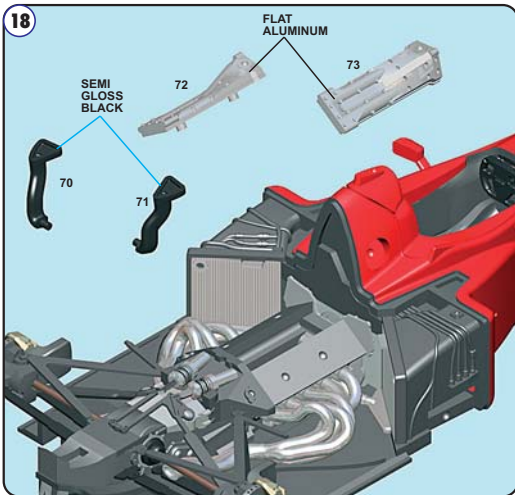


11

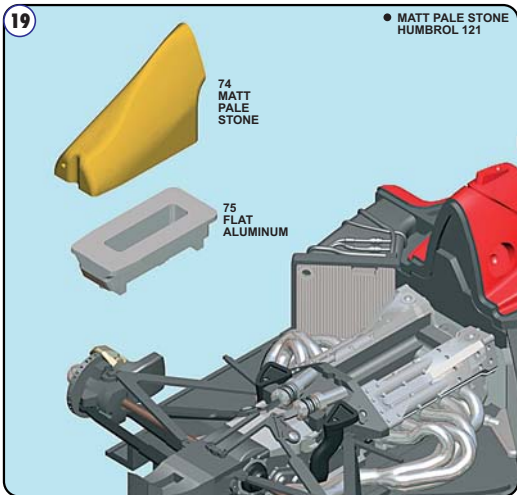


12**13****14****15****16****17**

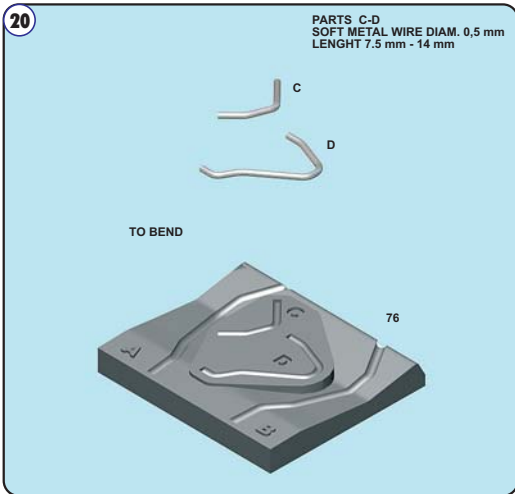
18



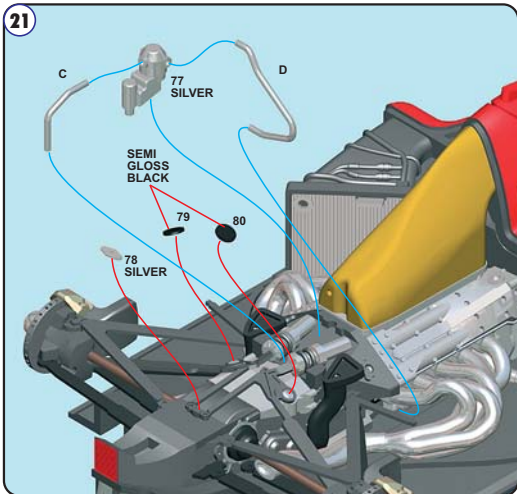
19



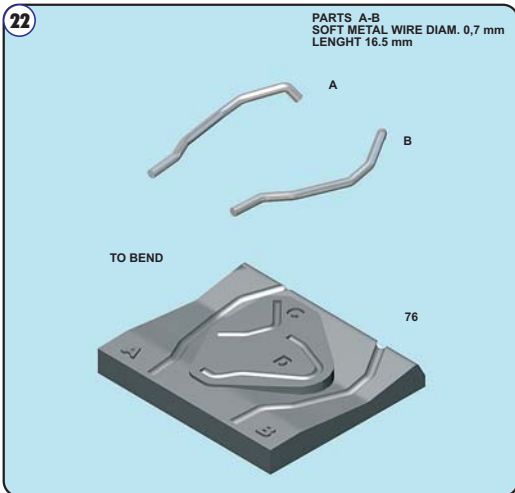
20



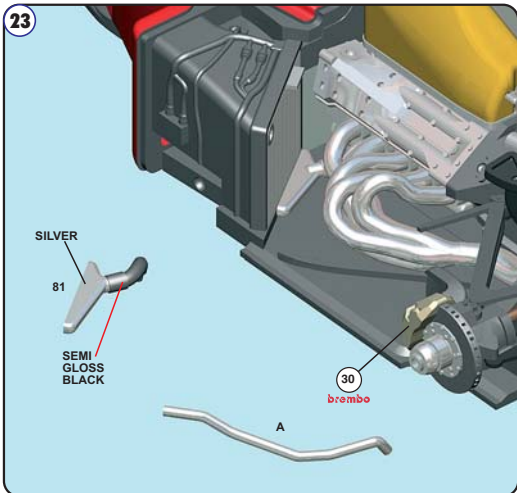
21

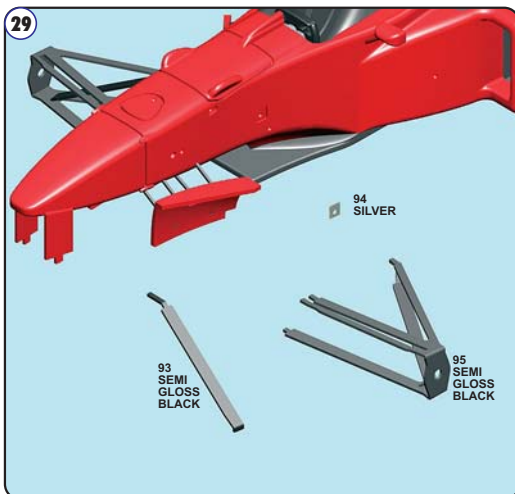
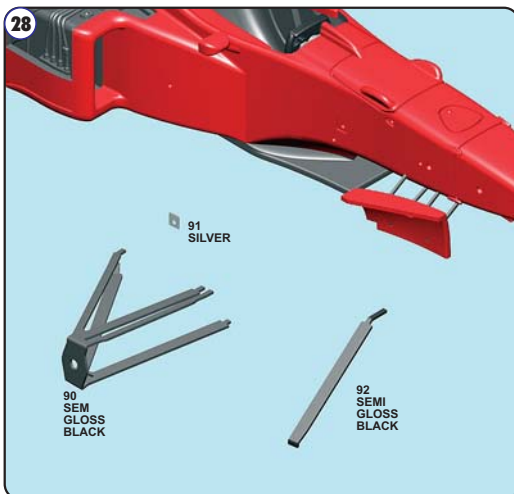
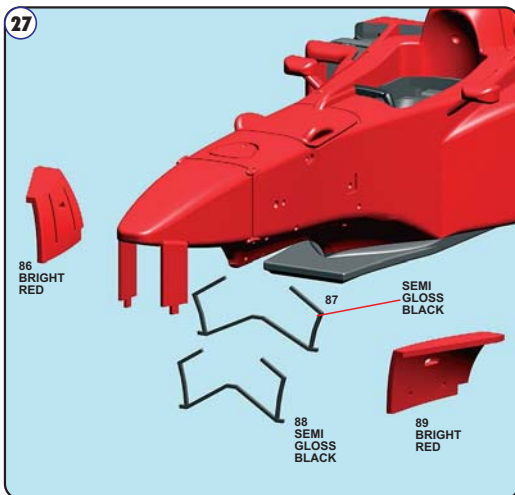
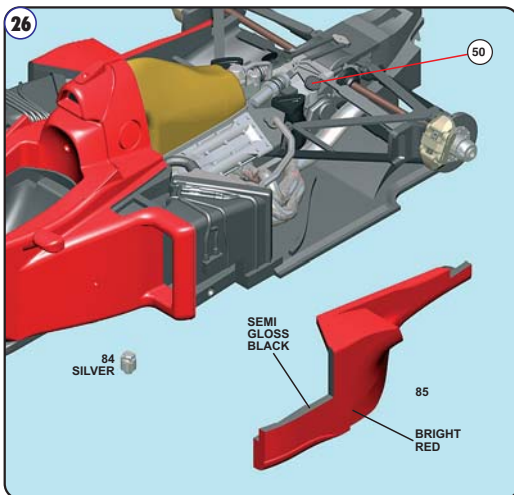
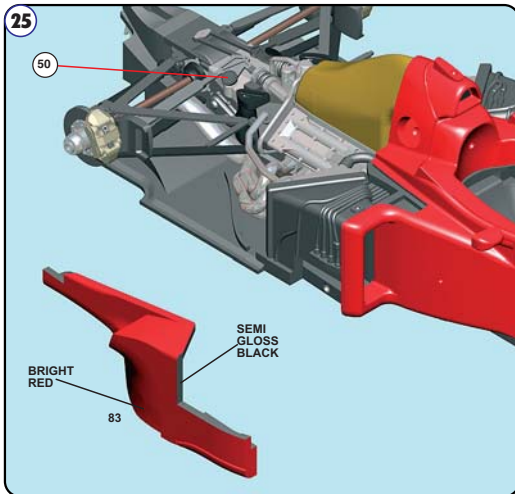
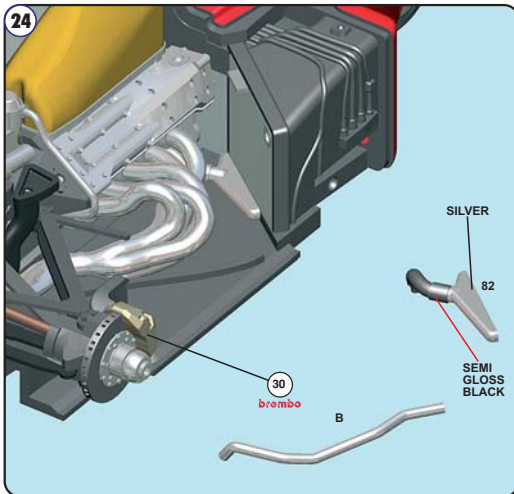


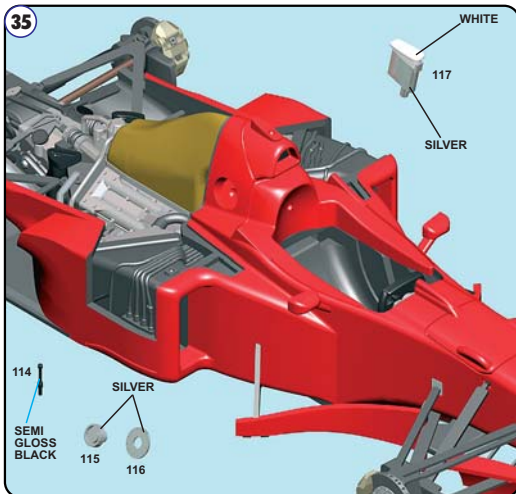
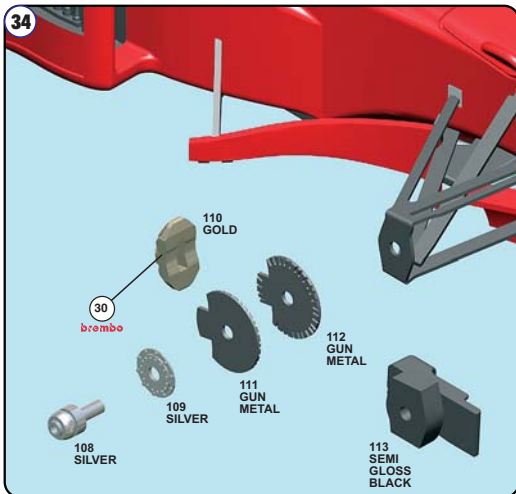
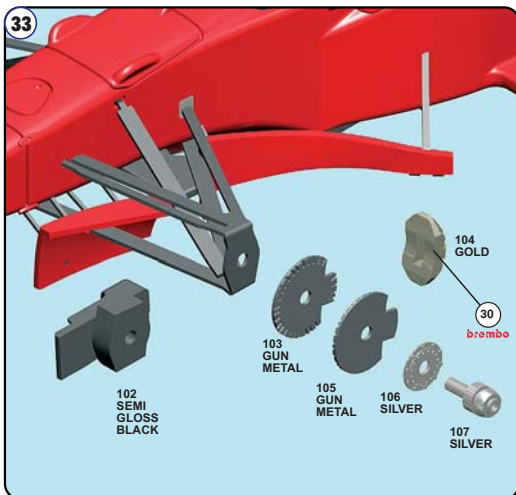
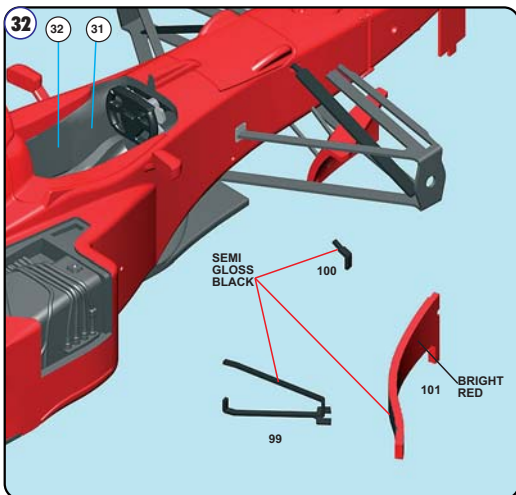
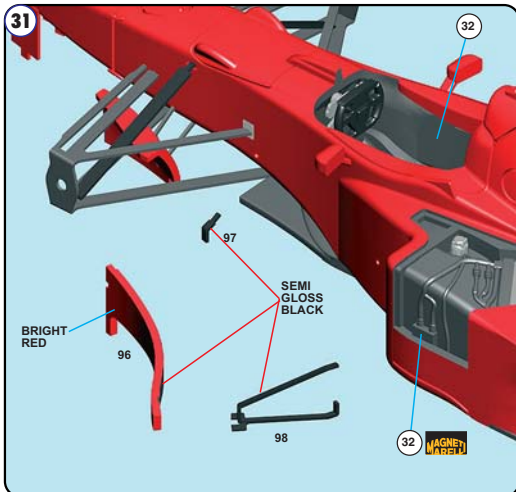
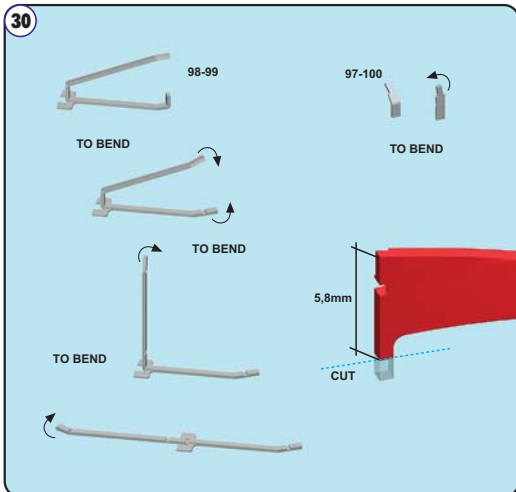
22

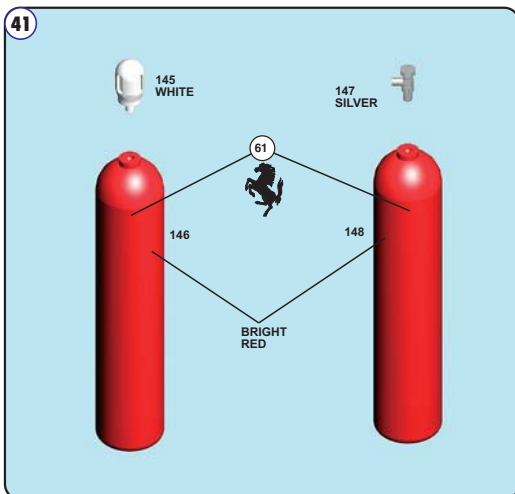
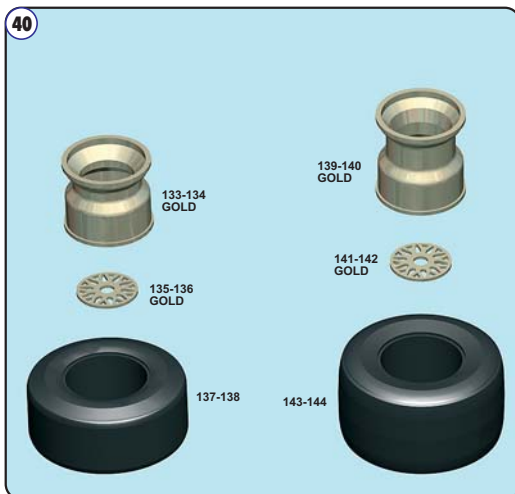
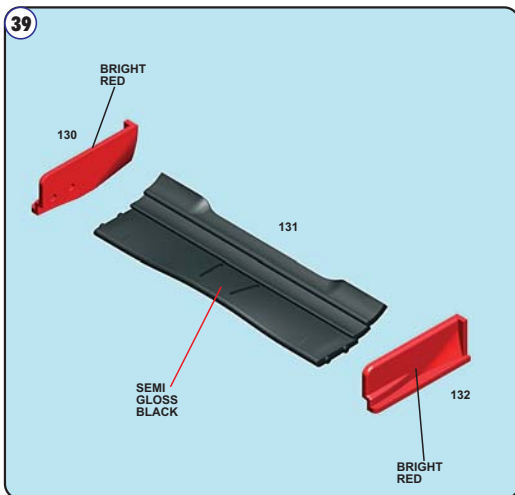
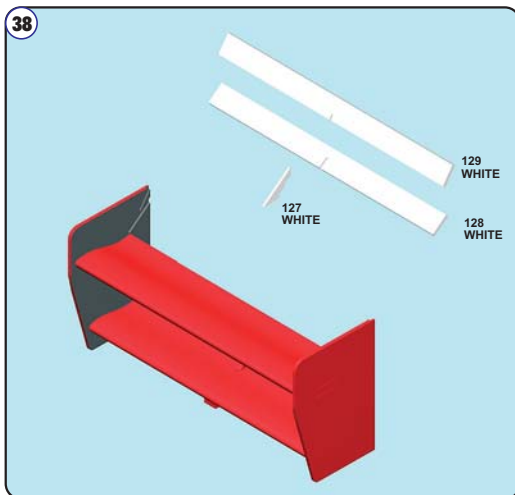
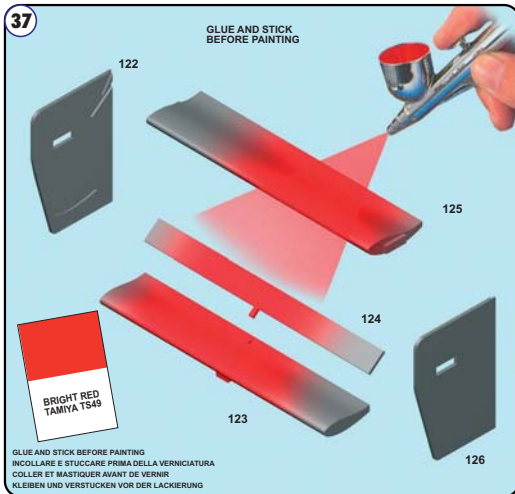
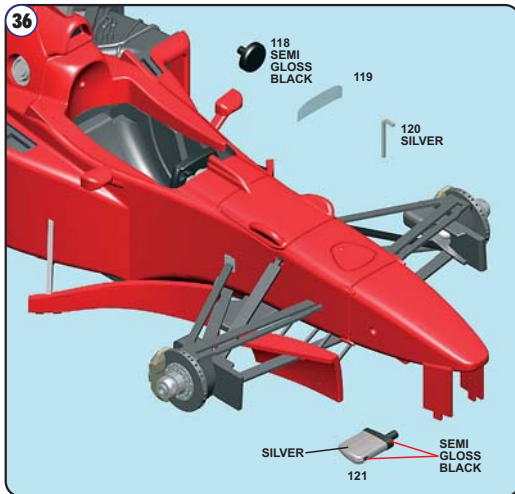


23

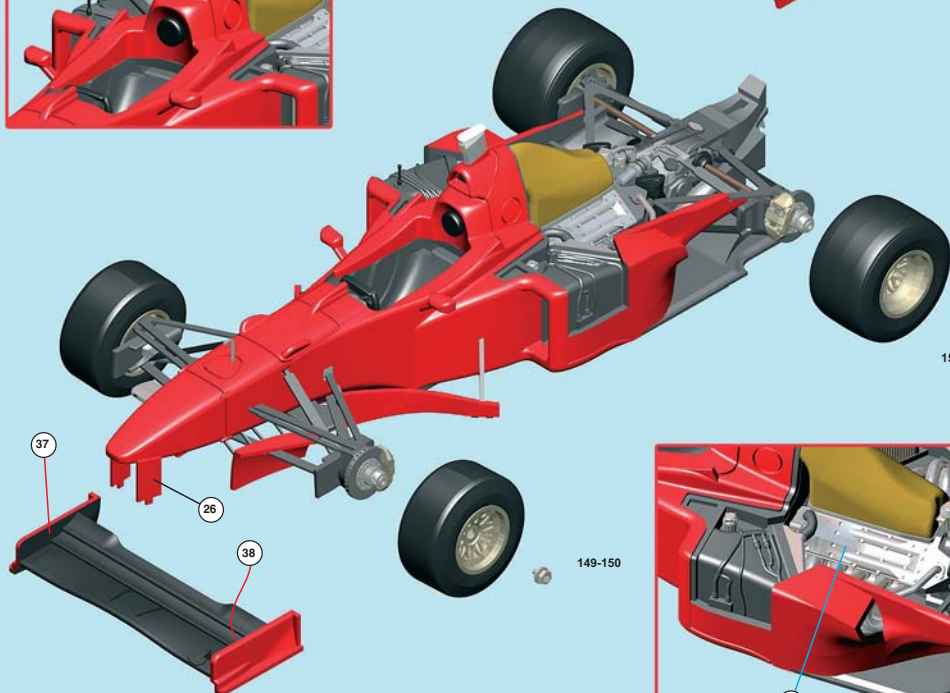
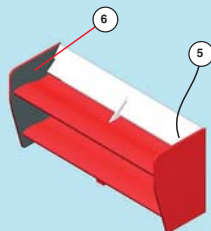
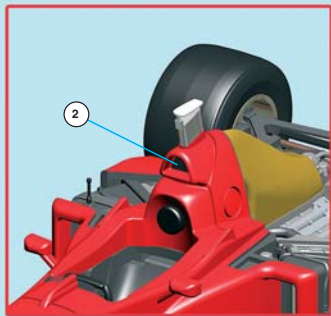




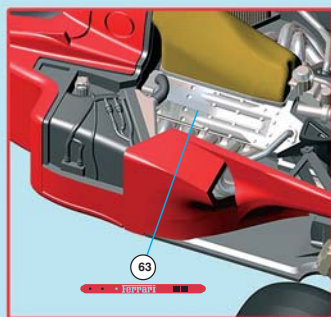




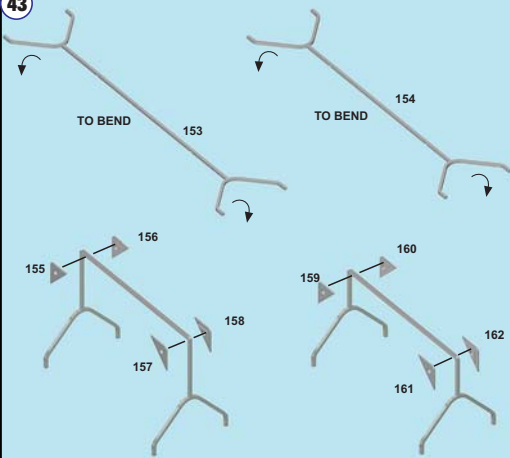
42



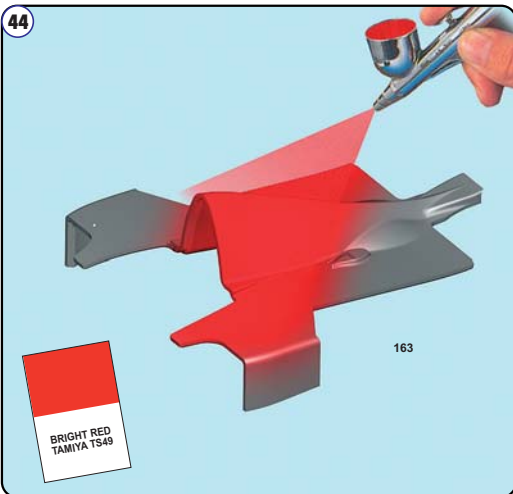
151-152



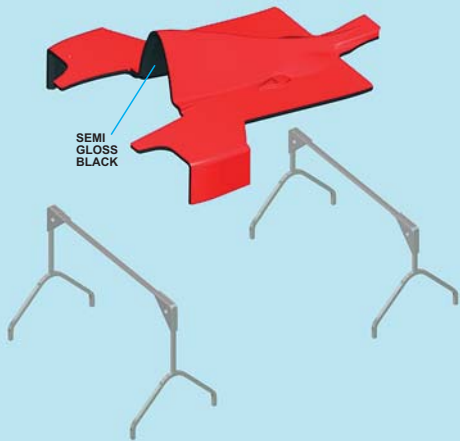
43



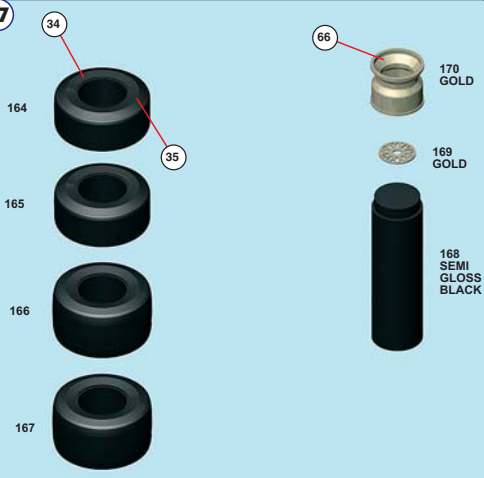
44



46




47




48



TMK 349 FERRARI F310B JAPANESE G.P. 1997

 5 - M. Schumacher 1st

 6 - E. Irvine 3rd

